



# Commercial Pots

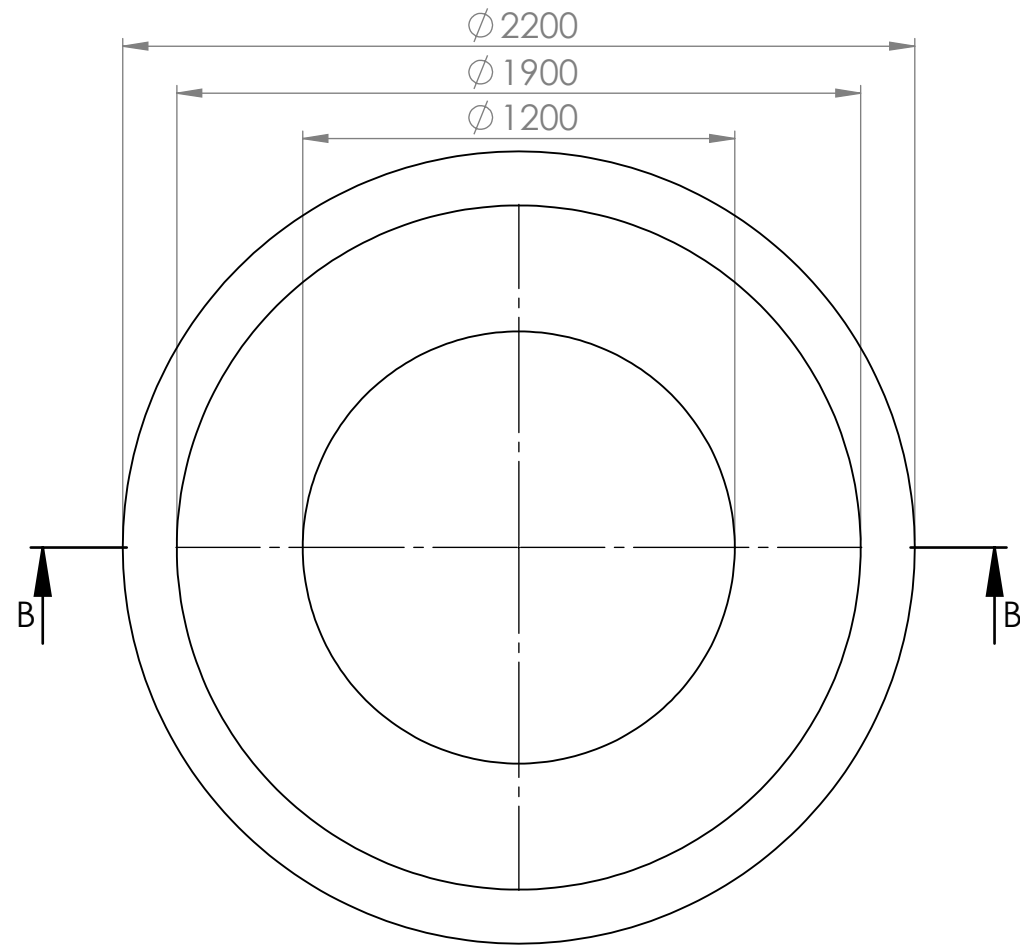
**Commercial Pots**  
**Blue Mountains**  
**1300 554 575**  
**commercial@commercialpots.com.au**  
**commercialpots.com.au**  
Copyright Commercial Pots

**Product Name :** City Bowl 2200

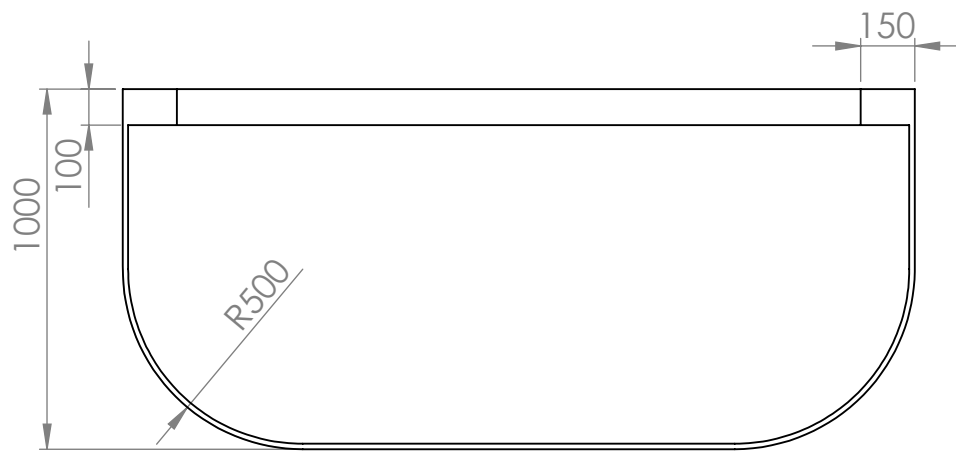
**Product Dimensions :** 2200D x 1000H

**Date :** 5/5/2020

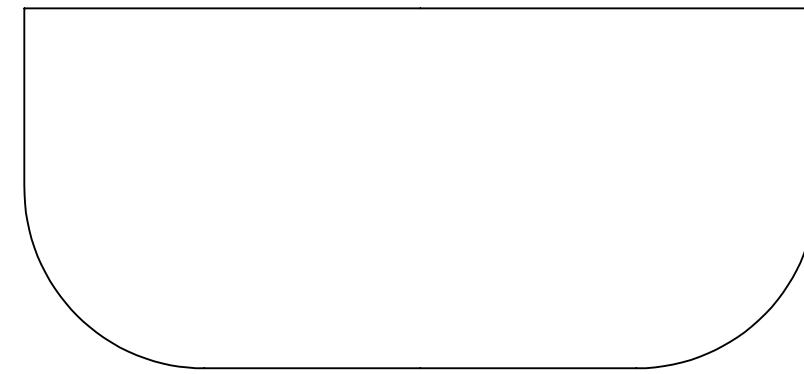
**Revision :** 1



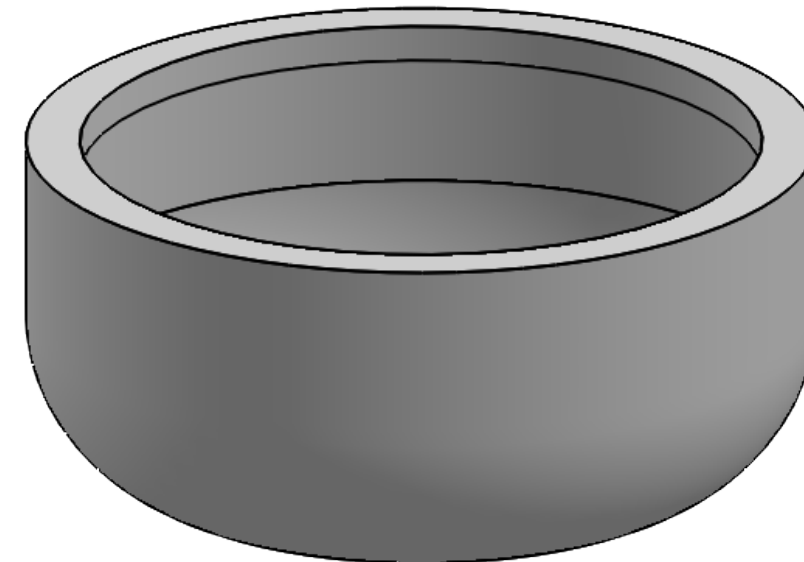
**Top View**



**Section View B-B**



**Side View**



**Dimetric View**